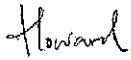
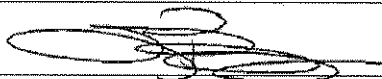


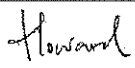
HY2004/09 Improvements to San Tin Interchange					
Notifications of Environmental Quality Limits Exceedance				Notification No.: 094	
Date of Notification: 2 nd April 2007			Time: 10:00		
Works Inspected: Data collected from restricted hour noise monitoring on 1 st April 2007, Sunday					
Monitoring Location: CM2 – Village House near San Tin Highway					
Parameter: Noise (Leq 15 min)					
Action & Limit Levels			Measured Level:		
Time Period	Action Level	Limit Level	Time	Location	Noise Level
07:00–23:00 hrs General Holiday	-	65dB(A)	09:51–10:06 hrs	CM2*	71dB(A)
Possible reason for Action or Limit Level Non-compliance:					
<p>During the measurement period, no project-related works were observed to be undertaken near the monitoring location. Further to discussion with the Contractor and subsequent confirmation from the Resident Engineer, the major construction activity during the time of measurement were excavation and crane operation in the N1 Division over 300m away from CM2.</p> <p>The major noise source during the noise measurement was road traffic from San Tin Highway. To this end, the noise exceedance recorded on 1st April 2007 may have been caused by high ambient road traffic noise from San Tin Highway. Thus, the exceedance was not to be attributable to project works.</p> <p>Note * A positive correction of 3dB(A) has been applied to the measured noise level at CM2 according to EPD's guideline.</p>					
Actions taken/ to be taken:					
As the noise exceedance was not project related, no immediate actions are necessary.					

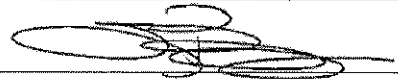
Prepared by : Howard Chan Title : ET - Environmental Technician

Date : 2nd April 2007

Reviewed and approved by : Susana Bezy Title : Environmental Team Leader

Date : 2nd April 2007

Sent to : RE, Contractor, EPD & IEC

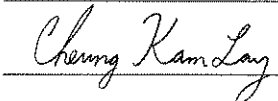
HY2004/09 Improvements to San Tin Interchange					
Notifications of Environmental Quality Limits Exceedance				Notification No.: 095	
Date of Notification: 10 th April 2007			Time: 10:00		
Works Inspected: Data collected from restricted hour noise monitoring on 8 th April 2007, Sunday					
Monitoring Location: CM2 – Village House near San Tin Highway					
Parameter: Noise (Leq 15 min)					
Action & Limit Levels			Measured Level:		
Time Period	Action Level	Limit Level	Time	Location	Noise Level
07:00–23:00 hrs General Holiday	-	65dB(A)	09:45–10:00 hrs	CM2*	71dB(A)
Possible reason for Action or Limit Level Non-compliance:					
<p>During the measurement period, no project-related works were observed to be undertaken near the monitoring location. Further to discussion with the Contractor and subsequent confirmation from the Resident Engineer, the major construction activities during the time of measurement were concrete breaking and crane operation in the N1 Division over 250m away from CM2.</p> <p>The major noise source during the noise measurement was road traffic from San Tin Highway. To this end, the noise exceedance recorded on 8th April 2007 may have been caused by high ambient road traffic noise from San Tin Highway. Thus, the exceedance was not to be attributable to project works.</p> <p>Note * A positive correction of 3dB(A) has been applied to the measured noise level at CM2 according to EPD's guideline.</p>					
Actions taken/ to be taken:					
As the noise exceedance was not project related, no immediate actions are necessary.					

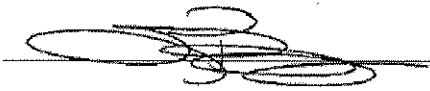
Prepared by : Howard Chan Title : ET - Environmental Technician

Date : 10th April 2007

Reviewed and approved by : Susana Bezy Title : Environmental Team Leader

Date : 10th April 2007

Sent to : RE, Contractor, EPD & IEC

HY2004/09 Improvements to San Tin Interchange					
Notifications of Environmental Quality Limits Exceedance				Notification No.: 096	
Date of Notification: 16 th April 2007			Time: 11:00		
Works Inspected: Data collected from restricted hour noise monitoring on 15 th April 2007, Sunday					
Monitoring Location: CM2 – Village House near San Tin Highway					
Parameter: Noise (Leq 15 min)					
Action & Limit Levels			Measured Level:		
Time Period	Action Level	Limit Level	Time	Location	Noise Level
07:00–23:00 hrs General Holiday	-	65dB(A)	14:15–14:30 hrs	CM2*	69dB(A)
Possible reason for Action or Limit Level Non-compliance:					
<p>During the measurement period, no project-related works were observed to be undertaken near the monitoring location. Further to discussion with the Contractor and subsequent confirmation from the Resident Engineer, the major construction activity during the time of measurement was crane operation in the N1 Division over 200m away from CM2.</p> <p>The major noise source during the noise measurement was road traffic from San Tin Highway. To this end, the noise exceedance recorded on 15th April 2007 may have been caused by high ambient road traffic noise from San Tin Highway. Thus, the exceedance was not to be attributable to project works.</p> <p>Note * A positive correction of 3dB(A) has been applied to the measured noise level at CM2 according to EPD's guideline.</p>					
Actions taken/ to be taken:					
As the noise exceedance was not project related, no immediate actions are necessary.					

Prepared by : K. L. Cheung Title : ET - Environmental Consultant

Date : 16th April 2007

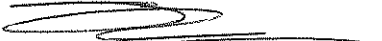
Reviewed and approved by : Susana Bezy Title : Environmental Team Leader

Date : 16th April 2007

Sent to : RE, Contractor, EPD & IEC

HY2004/09 Improvements to San Tin Interchange					
Notifications of Environmental Quality Limits Exceedance				Notification No.: 097	
Date of Notification: 23 rd April 2007			Time: 11:00		
Works Inspected: Data collected from restricted hour noise monitoring on 22 nd April 2007, Sunday					
Monitoring Location: CM2 – Village House near San Tin Highway					
Parameter: Noise (Leq 15 min)					
Action & Limit Levels			Measured Level:		
Time Period	Action Level	Limit Level	Time	Location	Noise Level
07:00–23:00 hrs General Holiday	-	65dB(A)	09:52–10:07 hrs	CM2*	69dB(A)
Possible reason for Action or Limit Level Non-compliance:					
<p>During the measurement period, no project-related works were observed to be undertaken near the monitoring location. Further to discussion with the Contractor and subsequent confirmation from the Resident Engineer, the major construction activity during the time of measurement was concrete breaking in the N2 Division over 400m away from CM2.</p> <p>The major noise source during the noise measurement was road traffic from San Tin Highway. To this end, the noise exceedance recorded on 22nd April 2007 may have been caused by high ambient road traffic noise from San Tin Highway. Thus, the exceedance was not to be attributable to project works.</p> <p>Note * A positive correction of 3dB(A) has been applied to the measured noise level at CM2 according to EPD's guideline.</p>					
Actions taken/ to be taken:					
As the noise exceedance was not project related, no immediate actions are necessary.					


Prepared by : Howard Title : ET - Environmental Technician

Date : 23rd April 2007


Reviewed and approved by : Susana Bezy Title : Environmental Team Leader

Date : 23rd April 2007

Sent to : RE, Contractor, EPD & IEC

HY2004/09 Improvements to San Tin Interchange					
Notifications of Environmental Quality Limits Exceedance				Notification No.: 098	
Date of Notification: 30 th April 2007			Time: 14:15		
Works Inspected: Data collected from restricted hour noise monitoring on 29 th April 2007, Sunday					
Monitoring Location: CM2 – Village House near San Tin Highway					
Parameter: Noise (Leq 15 min)					
Action & Limit Levels			Measured Level:		
Time Period	Action Level	Limit Level	Time	Location	Noise Level
07:00–23:00 hrs General Holiday	-	65dB(A)	14:13–14:28 hrs	CM2*	<u>69dB(A)</u>
Possible reason for Action or Limit Level Non-compliance:					
<p>During the measurement period, no project-related works were observed to be undertaken near the monitoring location. Further to discussion with the Contractor and subsequent confirmation from the Resident Engineer, the major construction activity during the time of measurement was concrete breaking in the N2 Division over 400m away from CM2.</p> <p>The major noise source during the noise measurement was road traffic from San Tin Highway. To this end, the noise exceedance recorded on 29th April 2007 may have been caused by high ambient road traffic noise from San Tin Highway. Thus, the exceedance was not to be attributable to project works.</p> <p>Note * A positive correction of 3dB(A) has been applied to the measured noise level at CM2 according to EPD's guideline.</p>					
Actions taken/ to be taken:					
As the noise exceedance was not project related, no immediate actions are necessary.					

Prepared by : K. L. Cheung


Title : ET - Environmental Consultant
 Date : 30th April 2007

Reviewed and approved by : Susana Bezy


Title : Environmental Team Leader
 Date : 30th April 2007

Sent to : RE, Contractor, EPD & IEC